



# Technical Data

# TrimLineSeries™ SEMI-RECESSED NAPKIN/TAMPON VENDOR

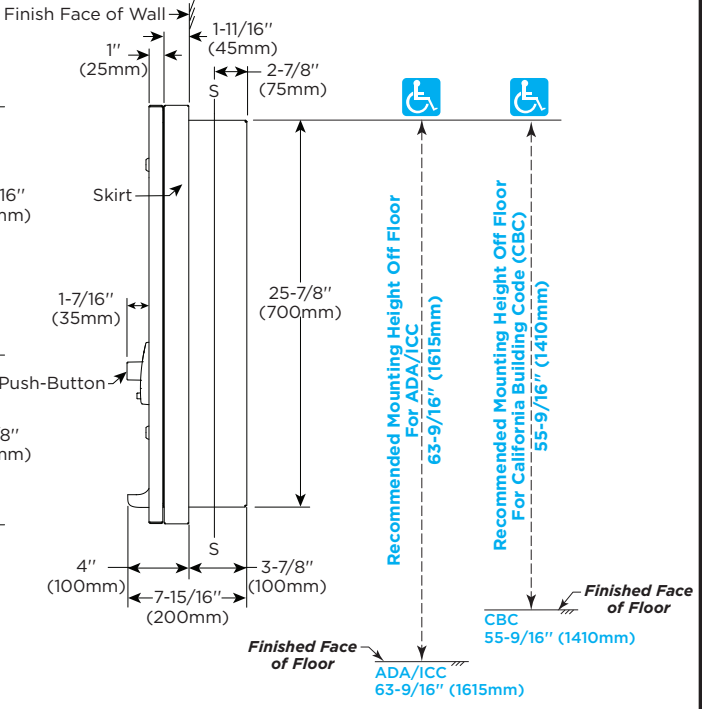
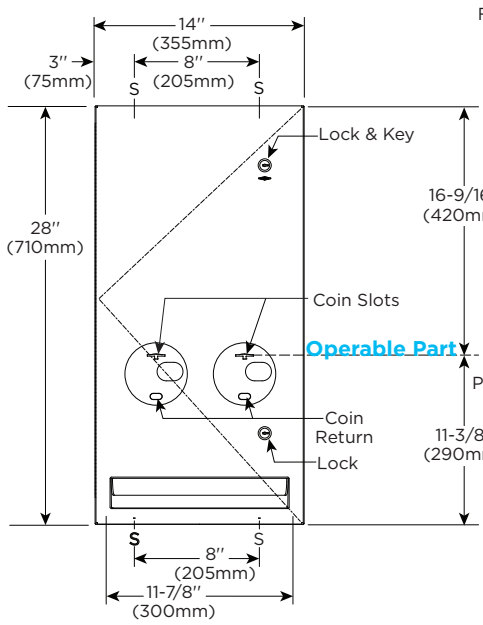
# B-370634 SERIES

### Specify Model Required:

- B-370634 25 Recessed 25¢ single-coin operation
- B-370634C Recessed Free no-coin operation
- B-370634T Token operation

### Specify Finish Required

- Stainless Steel, Satin Finish
- Matte Black Finish, please use model no. B-370634.MBLK 25 or B-370634.MBLK C



**Rough Wall Opening**  
 12-1/2" (320mm) wide  
 26-3/8" (670mm) high  
 3-7/8" (100mm) minimum recessed depth

**ADA/CBC Installation Guidance**  
 \*Operable Part: Top of coin slot.  
 Maximum mounting height of Operable Part:  
 ADA/ICC: 48" above finished floor (AFF)  
 CBC: 40" above finished floor (AFF)  
 \*For more information regarding operable parts, please refer to Bobrick Planning Guide for Accessible Restrooms, page 9.

**Token** — Part.-No. 3706-405 - qty of 100 Tokens (measurement: .900" diameter, .067" thickness), qty of 100 Tokens are available as part of the unit and are also available as spare part (qty of 100 pcs).

### MATERIALS:

**Cabinet** — 18-8, Type-304, 18-gauge (1.2mm) stainless steel. All-welded construction.

**Skirt** — 18-8, Type-304, 22-gauge (0.8mm) stainless steel with satin finish or matte black, as specified.

**Door** — 18-8, Type-304, 18-gauge (1.2mm) stainless steel with satin finish or matte black, as specified. Door has flat design with 90° return edges; conceals flange. Secured to cabinet with a concealed full-length stainless steel piano-hinge. Equipped with two tumbler locks keyed like other Bobrick washroom accessories. Door has no brand-name advertising for products dispensed. Graphic symbols identify products dispensed and coin denomination.

continued . . .

**Coin Mechanisms (2)** — Impact-Resistant PC-ABS Push-Buttons. Coin mechanisms can be converted in the field to any standard coin denomination without having to buy new coin mechanisms (Free, 25¢ or Token) order Part No. 3706-250 for Free Vend Conversion Kit. Accepts one quarter (U. S. or Canadian) as designated by factory setting. Coin Box is equipped with tumbler lock that opens with different key than furnished for door locks.

**Coin Return Push-Button (2)** — Impact-Resistant PC-ABS Push-Button cancels selection and returns coin into product tray.

**Product Tray** — Impact-Resistant PC-ABS, provides convenient access to dispensed product.

#### **OPERATION:**

After coin is inserted in dispensing mechanism of patron's choice, pushing button dispenses boxed sanitary napkin or tampon tube. Mechanical operations; no batteries or electricity required. Coin slot of each dispensing mechanism is identified by a graphic symbol. Capacity: 20 sanitary napkins and 30 tampons. Coin slots are automatically blocked with a red indicator when supply is depleted. Coin Return Push-Button cancels the selection and returns coin into product tray. Wrong coins (penny, nickel, dime) by-pass mechanisms and drop into product tray. Vendor dispenses sanitary napkin packages measuring 2-7/8" x 3/4" x 4-1/8" to 3-1/8" x 1-1/8" x 4-3/8" (73 x 19 x 105mm to 80 x 29 x 111mm) and tampon tubes measuring 4-5/8" long x 9/16" diameter minimum to 5-1/8" long x 3/4" diameter maximum (118 x 14 to 130 x 19mm).

#### **INSTALLATION:**

Provide framed rough wall opening 12-1/2" wide x 26-3/8" high (320 x 670mm). Minimum recessed depth required to finish face of wall for semi recessing the unit is 3-7/8" (100mm). Allow clearance for construction features that may protrude into opening from opposite wall. Coordinate with mechanical engineer to avoid pipes, vents, and conduits. If unit projects above top of wainscot, provide aluminum channel or other filler to eliminate gap between flange and finish face of wall. Insert cabinet to wall depth available, then secure unit with four sheet-metal screws, (not furnished), at points indicated by a S.

#### **SPECIFICATION:**

Semi-Recessed napkin/tampon vendor shall combine two dispensing mechanisms in one cabinet to provide sanitary napkins and tampons at user's option. Mechanical operations; no batteries or electricity required. Dispensing mechanisms shall be pre-set at factory for \_\_\_\_\_ (Free, 25¢ or Token) operation, but shall be convertible in the field to allow the change of coin denomination without removing unit from wall. Door shall be furnished with graphics indicating specified coin denomination. Unit shall be Type-304 stainless steel with all-welded construction; exposed surfaces shall have #4 satin finish or matte black, as specified. Stainless steel skirt shall have satin finish or matte black, as specified, and have 90° return on all edges. Door shall be 18 gauge (1.2mm); have flat door design with 90° return edges; conceals flange; be secured to cabinet with a concealed, full-length stainless steel piano hinge; and equipped with two tumbler locks keyed like other Bobrick washroom accessories. Vendor product selection and coin return push-button operation shall be certified ADA-ABA, ICC/ANSI A117.1 complaint by third party (certification available on request) for operation with one hand with less than 5 pounds of force (22.2 N) without tight grasping, pinching or twisting of the wrist. Push-Button coin return shall cancel selection and return coin into product tray. Wrong coins (penny, nickel, dime) shall by-pass mechanisms and drop into product tray. Product tray shall be impact-resistant PC-ABS plastic and provide easy access to dispensed product. Coin Box shall be equipped with a tumbler lock that is keyed differently than door locks. Unit shall not carry brand-name advertising.

**Semi-Recessed Napkin/Tampon Vendor shall be Model \_\_\_\_\_ (insert model number) of Bobrick Washroom Equipment, Inc., Clifton Park, New York; Jackson, Tennessee; Los Angeles, California; Bobrick Washroom Equipment Company, Scarborough Ontario; Bobrick Washroom Equipment Pty. Ltd., Australia; and Bobrick Washroom Equipment Limited, United Kingdom.**