

RECESSED

Kit for recessed Machflow hand dryer



KT009
White finish



KT009CS
Satin finish

General description

- Kit for recessed Machflow hand dryer (hand dryer not included).
- The kit for recessed Machflow makes the Machflow hand dryer suitable for the compliance of the ADAAG norm (US) – that limits to 4 inches (100mm) the horizontal projection of the devices installed in bathrooms for public use-, bestowing on that hand dryer the quality of "specific for the disabled".
- Maximum robustness and vandal-proof.
- Excellent integration and aesthetical level.

Components and materials

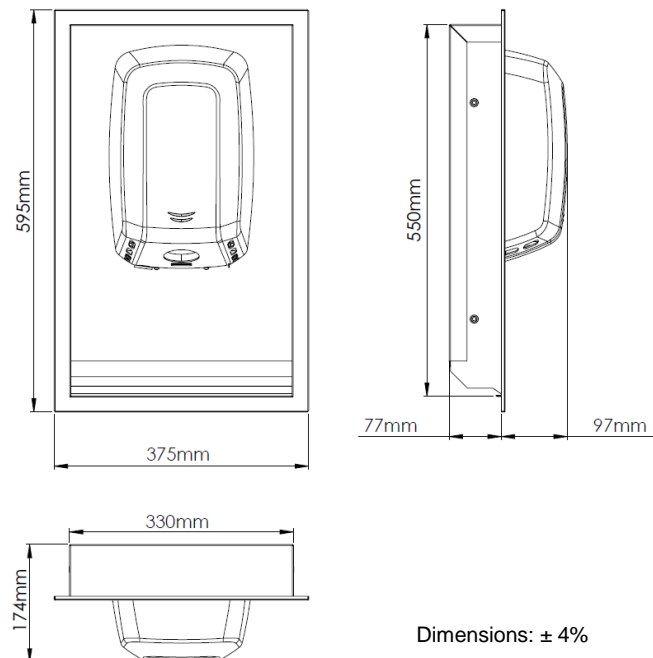
- **WALL BOX:** is manufactured of two welded parts. The dryer mounting area is made of 1mm thick steel white finish (KT009) or 1 mm thick AISI 304 stainless steel satin finish (KT009CS). It includes 4 M5 bolts welded on top of the base plate for fitting of the Machflow hand dryer. The frame is fabricated of 0.7mm 18-8 type AISI304 stainless steel with 4 screw holes of Ø6.5mm for mounting on the wall.
- **NUTS AND BOLTS:** for hand dryer fitting to the kit. It includes: 4 nuts DIN 934 M5, 4 washers DIN 9021 M5 and 4 rubber silent blocks 8 x 18mm.

NOTE: screws and wall plugs for mounting the cabinet to the wall are not included. The use of stainless steel screws is recommended.

Technical specifications

Dimensions	375 x 595 x 77 mm
Wall hole dimensions	330 x 550 x 77 mm
Wall box thickness	1.0 mm
Frame thickness	0.7 mm
Net weight	3 Kg

Dimensions



Hand dryer not included

Dimensions: ± 4%

Mounting

Recommended heights distance from the floor

When installed, bottom of hand dryer will be 190mm above bottom of rough wall opening.