

SENSOR OPERATED

Saniflow E05A



E05A



E05AC



E05ACS



E05AB

General description

- Saniflow® automatic hand dryer is the rotating nozzle dryer that is most widely used in the world, regardless of the location to be fitted.
- These machines also feature easy maintenance, low noise levels and a high level of user safety. Together with an accurate design of components, SANIFLOW dryers boast the most powerful airflow in the world, which, combined with a comfortable drying temperature, reduces drying times to a minimum.
- Available in a 1,5 mm. thick steel cover, white or black finished or in a 1,5 mm. thick stainless steel cover bright or satin finished, this hand dryer is ideal for Heavy traffic Bathrooms.
- Thus, these are proven models with a long durability and complete reliability, with anti-vandalism features and designed to be installed in high traffic of people such as airports, large hotels, sport centers, large recreational areas and large official organizations, among others.
- Optionally, it can incorporate odor-neutralizing balls (code RFCB001) that aromatize and deodorize the environment through their soft fragrance.

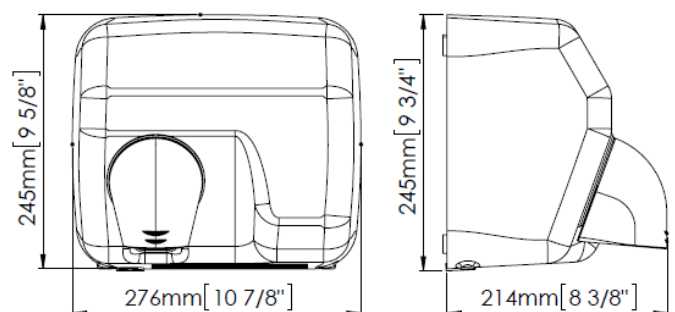
Components and materials

- E05A:** 1,5 mm. thick steel cover, white finished.
- E05AB:** 1,5 mm. thick steel cover, black finished.
- E05AC:** 1,5 mm. thick stainless steel cover, bright finish.
- E05ACS:** 1,5 mm. thick stainless steel cover, satin finish.
- COVER:** one-piece fixed to the base by means of 2 vandal-proof lock screws and lock with special Saniflow ® wrench.
- BASE PLATE:** made of aluminium, 3 mm thick, with 4 Ø 8 mm holes for wall mounting.
- FAN SCROLL:** made of fire resistant plastic UL 94-VO.
- FAN WHEEL:** centrifugal double symmetrical inlet fan wheel made of aluminium.
- HEATING ELEMENT:** made with wavy wire NiCr on a mica frame that incorporates a thermal cut-off.
- NOZZLE:** 360° Nozzle in chrome plated Zamak.
- HANDS DETECTION:** Adjustable detection by means of a potentiometer.
- SILENT BLOCKS:** 4 units assembled in the rear part of the base plate to eliminate vibrations.
- ODOR-NEUTRALIZING BALLS:** code RFCB001 for a cleaner and more pleasant atmosphere in the bathroom (optional).

Technical Specifications

Voltage	220- 240 V
Frequency	50/60 Hz
Electrical Isolation	Class I
Total power	2,250 W
Consumption	10 A
Motor power	250 W
Rpm	5,500
Heating element power	2,000 W
Dimensions	245x276x214 mm.
Weight	4,65 Kg
Cover thickness	1.5 mm
Drying time	29 sec.
Air velocity	100 Km/h
Air temperature (10 cm distance/21°C)	50 °C
Sound pressure (at 2m)	68 dBA
Protection rating	IP21

Dimensions



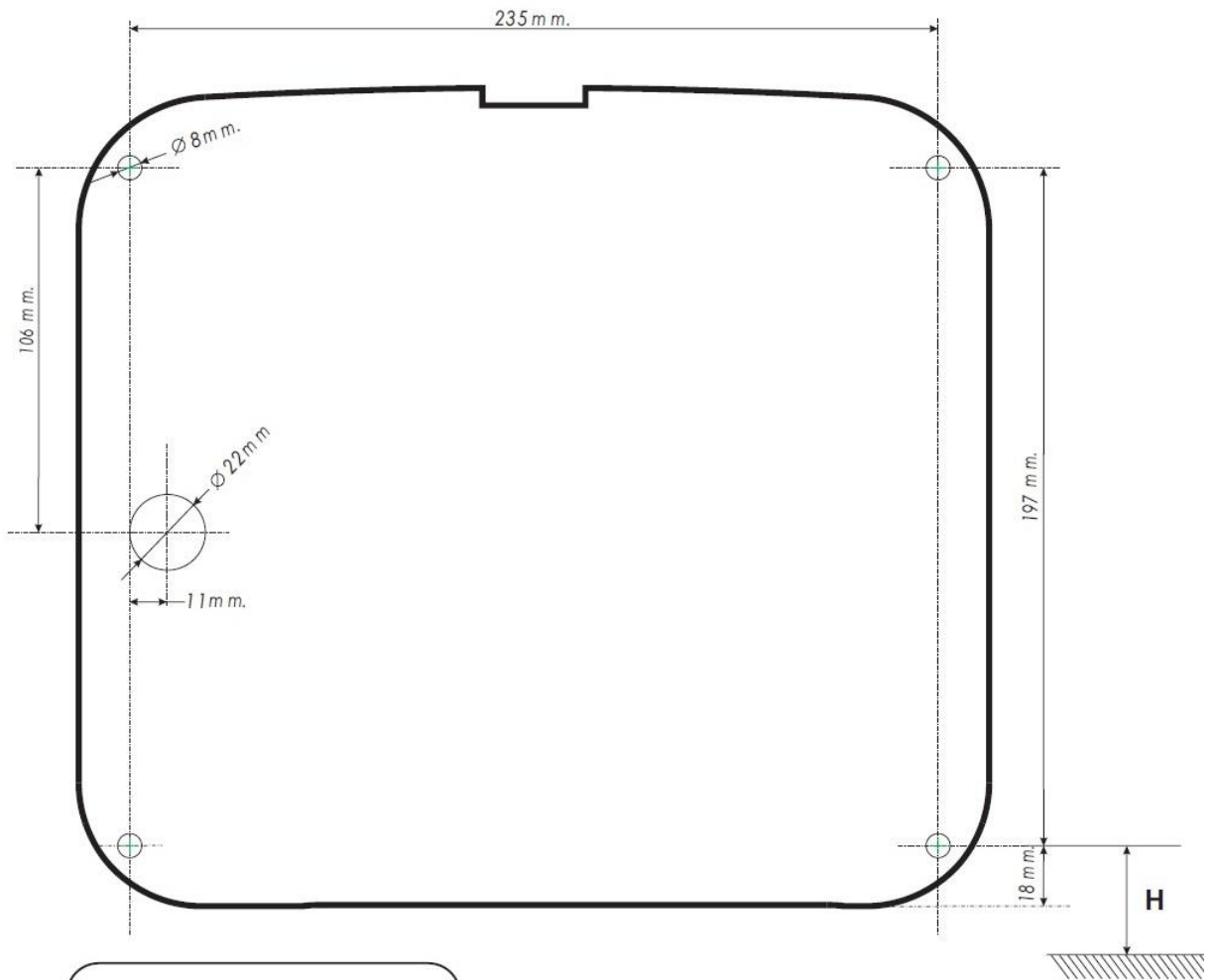
Dim. +/-4%

Operation

Place the hands under the rotating nozzle. The dryer will start automatically, and go on with no interruption as long as the hands are kept in the detection range of the sensor. The appliance will stop 2 seconds after the hands are removed from the airflow.

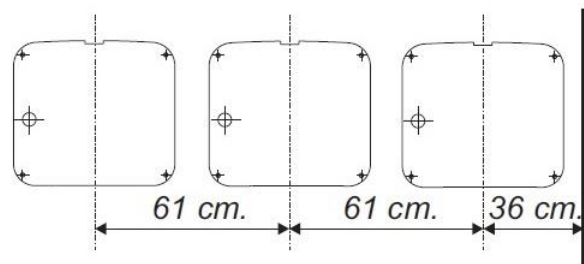
Mounting

Recommended heights distance from the floor



H = Distance from floor

120 cm	115 cm	95 cm	100 cm
47"	45"	37"	40"



Certificates and Qualifications



Mediclinics, S.A., reserves the right to make changes and/or modifications to the products and their specifications without prior notice.
 Review 06-24 © mediclinics S.A.

