

MIRRORS

Pivoting



EP0300 / EP0400
White finish



EP0300B / EP0400B
Matte black finish



EP0300CS / EP0400CS
Satin finish

General description

- Adjustable pivoting mirrors with a frame manufactured on white steel (EP0300/EP0400), or matte black steel (EP0300B/EP0300B) or stainless steel AISI 304 satin finish (EP0300CS/EP0400CS), 1,5 mm thick and with a high-quality glass, 5 mm thick.
- Pivoting control bracket white steel (EP0300/EP0400), or matte black steel (EP0300B/EP0300B) or stainless steel AISI 304 satin finish (EP0300CS/EP0400CS), 2 mm thick and it allows the mirror to be tilted forward for barrier free utility.
- Provides easy visibility for wheelchair users.
- Stainless steel screws for brick walls are included with the mirrors.

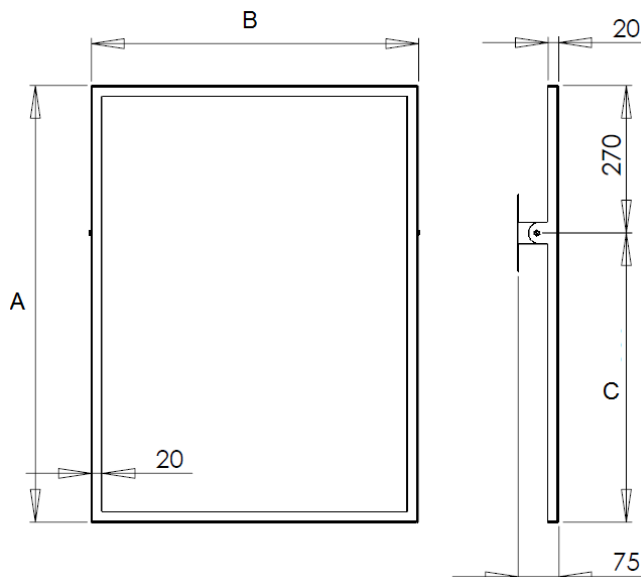
Components and materials

- EP0300/EP0400:** adjustable tilt mirror, with frame made of steel 1,5 thick and white finish.
- EP0300/EP0400B:** adjustable tilt mirror, with frame made of steel 1,5 thick and matte black finish.
- EP0300CS/EP0400CS:** adjustable tilt mirror, with frame made of stainless steel 1,5 thick and satin finish.
- FRAME:** made of steel (EP0300) or stainless steel AISI 304 (EP0300CS & EP0400CS), 1,5 thick. Unitized all welded construction. Edges and corners are burr free.
- WALL BRACKET:** to fix the mirror to the wall, made of steel (EP0300) white finish or in stainless steel AISI 304 (EP0300CS & EP0400CS) satin finish, 2 mm thick, and with rounded edges. A pivoting system of the bracket allows the mirror to be tilted forward for barrier free utility.
- GLASS:** standard glazing is No 1 quality, 5mm thick.

Technical specifications

Dimensions	700 x 500 x 75 mm (EP0300 – EP0300B-EP0300CS) 800 x 600 x 75 mm EP0400-EP0400B-EP0400CS
Frame thickness	1,5 mm
Glass thickness	5 mm
Pivoting bracket	2 mm

Dimensions

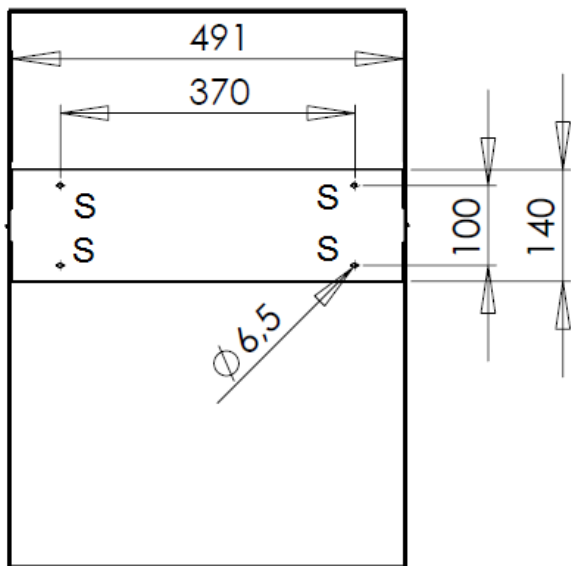


	A (mm)	B (mm)	C (mm)
EP0300	700	500	430
EP0300B			
EP0300CS			
EP0400	800	600	530
EP0400B			
EP0400CS			

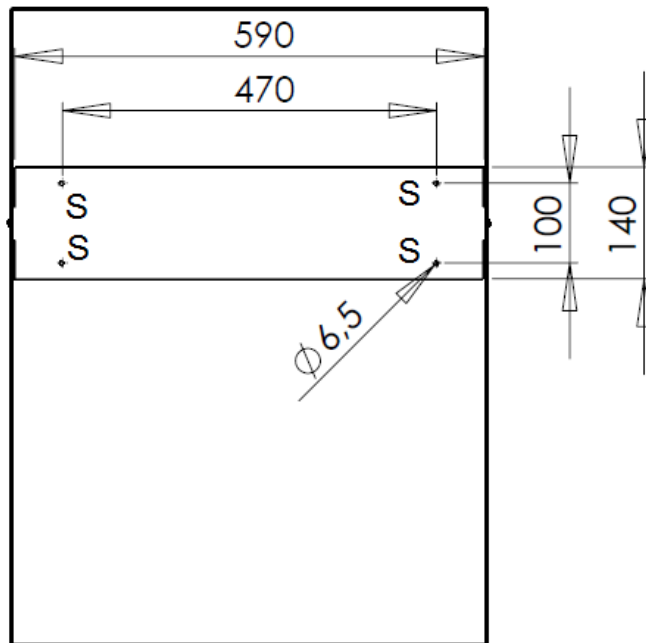
Dimensions: ± 4%

Fix to the wall, at the corresponding height (1,150 mm at lower point), the plate for fixing the mirror to the wall, through the holes marked with an "S" in the following figure:

EP0300 / EP0300B / EP0300CS



EP0400 / EP0400B / EP0400CS



Mount the mirror on the plate for fixing the mirror to the wall.