

MEDINOX

Wall to floor grab bar with 3 support points



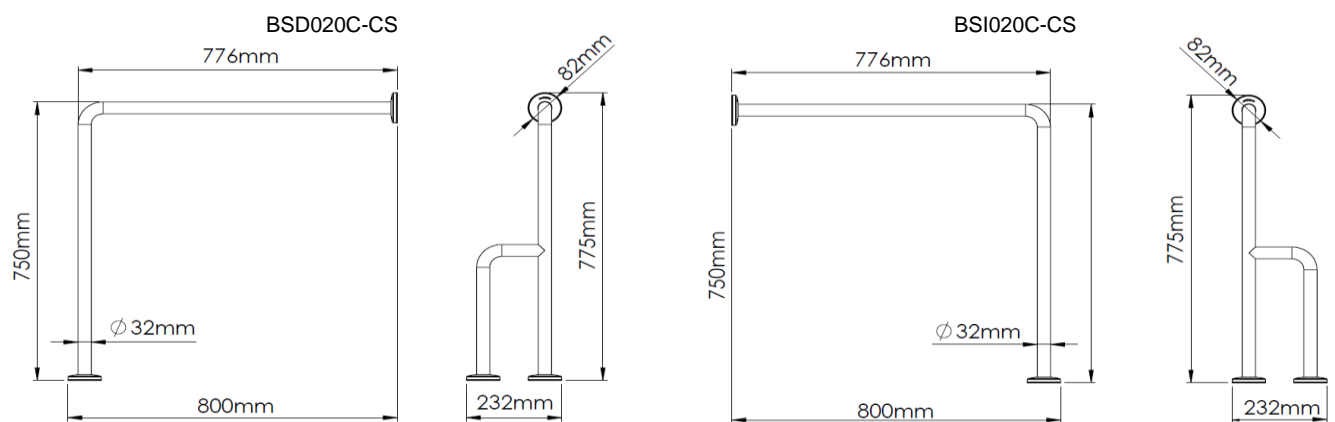
General description

- Wall-floor grab bar, with three support points, made of a diameter of 32 mm AISI 304 stainless steel tube, bent in an "L" shape at 90° and with a 32mm diameter lateral arm, welded on the lower part of the grab bar and also bent at 90°.
- With snap flange covers that conceal the installation screws, improving the aesthetics of the bars once installed on the wall.
- These grab bars offer a great safety and comfort to the user, helping to make the bathroom much safer for the elderly or those with reduced mobility. Models suitable for public use.
- Well suited for keeping bathrooms and public enclosures barrier-free.
- Highest durability and great resistance to rusting.
- Optionally, these grab bars can be electrically isolated, installing the electrical isolation kit code KA0020.
- Supplied with plugs and screws to fix the bar to a brick wall.

Components and materials

- **BSD020C:** right hand grab bar made of AISI 304 stainless steel tube, bright finish.
- **BSI020C:** left hand grab bar made of AISI 304 stainless steel tube, bright finish.
- **BSD020CS:** right hand grab bar made of AISI 304 stainless steel tube, satin finish.
- **BSI020CS:** left hand grab bar made of AISI 304 stainless steel tube, satin finish.
- **TUBING:** made of a 32 mm diameter tube, seamless construction. The bending process guarantees the uniformity of the diameter along the bends.
- **CONCEALED MOUNTING FLANGE:** three units made of AISI 304 stainless steel, 3 mm thick. Incorporates two Ø 6.5 mm screw holes for wall mounting.
- **SNAP FLANGE COVER:** three units made of AISI 304 stainless steel, 0.8 mm thick and Ø 82 mm. Each cover snaps over mounting flange to conceal mounting screws.

Dimensions



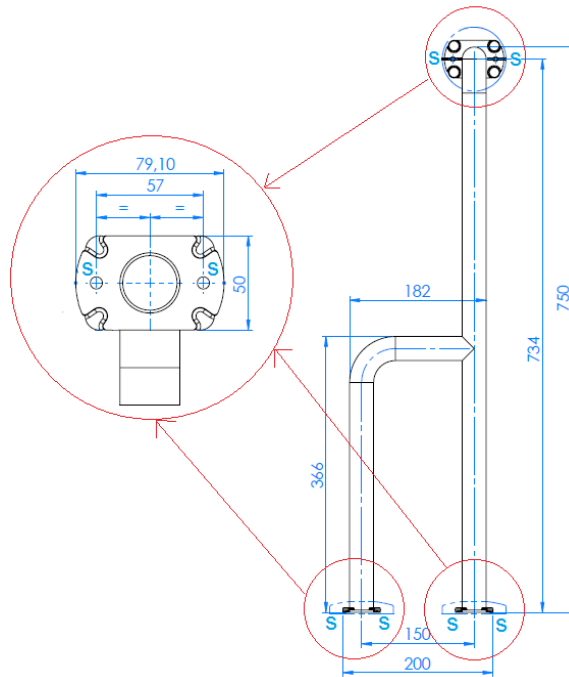
Dimensions: ± 4%

Technical specifications

Dimensions	776 x 750 x 232 mm
Tubing diameter	Ø 32mm
Wall plate thickness	3 mm
Snap flange cover diameter	Ø 82 mm
Snap flange cover thickness	0.8 mm

MOUNTING TEMPLATE

Fix the support bar both to the wall and floor through the holes of the wall and floor plates, using stainless steel screws and taking into account the distances of the points indicated by an "S" in the next figure:



Mediclinics, S.A., reserves the right to make changes and/or modifications to the products and their specifications without prior notice
Review 11-18 © mediclinics S.A.

