

MEDIEPOXI/ MEDINOX

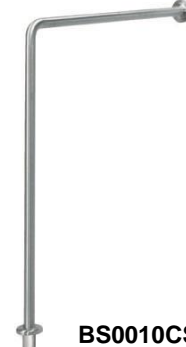
Wall-to-floor grab bar



BS0010
White finish



BS0010C
Bright finish



BS0010CS
Satin finish

General description

- The Mediclinics wall-to-floor grab bar with two support points is perfect for adding stability around the toilet, sink, shower or bathtub. It is suitable for people with a variety of disabilities or mobility difficulties and it can be placed in handicapped toilet stalls, in private homes, assisted living facilities, hospitals, and nursing homes.
- Manufactured in stainless steel AISI 304 tube of \varnothing 32 mm, this grab bar is offered in bright or satin finish.
- With a functional, robust and trendy design this grab bar matches with any bathroom's decor.
- Highest durability and rusting resistance.
- Optionally, these grab bars can be electrically isolated, installing the electrical isolation kit code KA0010 for bar (BS0010) or KA0020 for bars BS0010C and BS0010CS.
- Stainless steel screws and plastic plugs for brick walls are provided.

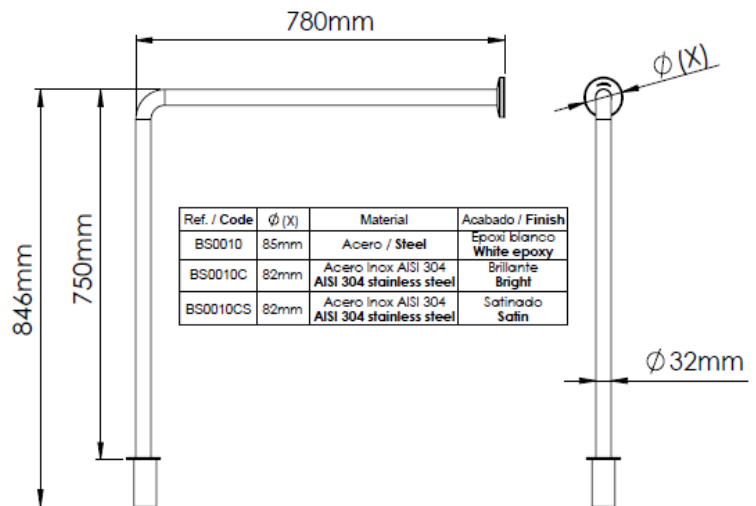
Components and materials

- BS0010C:** AISI 304 stainless steel, bright finish.
- BS0010CS:** AISI 304 stainless steel, satin finish.
- TUBING:** made of stainless steel AISI 304 tube \varnothing 32 mm (outer diameter). The bending process guarantees the uniformity of the diameter along the bends.
- WALL MOUNTING FLANGE (1 unit):** made of Stainless steel AISI 304, 3 mm thick. Incorporates 2 \varnothing 6.5 mm screw holes for wall mounting.
- WALL SNAP FLANGE COVER (1 unit):** made of Stainless steel AISI 304, 0.8 mm thick and \varnothing 82 mm.
- FLOOR MOUNTING FLANGE (1 unit):** made of Stainless steel AISI 304 tube \varnothing 48 mm (outer diameter), 3 mm thick. It requires a hole previously drilled on the floor of approximately \varnothing 50 mm and 100 mm depth and covered with.
- FLOOR SNAP FLANGE COVER (1 unit):** made of Stainless steel AISI 304, 3 mm thick and \varnothing 71.5 mm, which covers the connection point to the floor.

Technical specifications

Dimensions	780 x 7750 x 82mm
Bar tube diameter	\varnothing 32mm
Wall mounting flange thickness	3 mm
Wall snap flange cover thickness	0.8 mm
Wall snap flange cover diameter	\varnothing 82 mm
Floor mounting flange thickness	3 mm
Floor snap flange cover thickness	3 mm
Floor snap flange cover diameter	\varnothing 71.5 mm

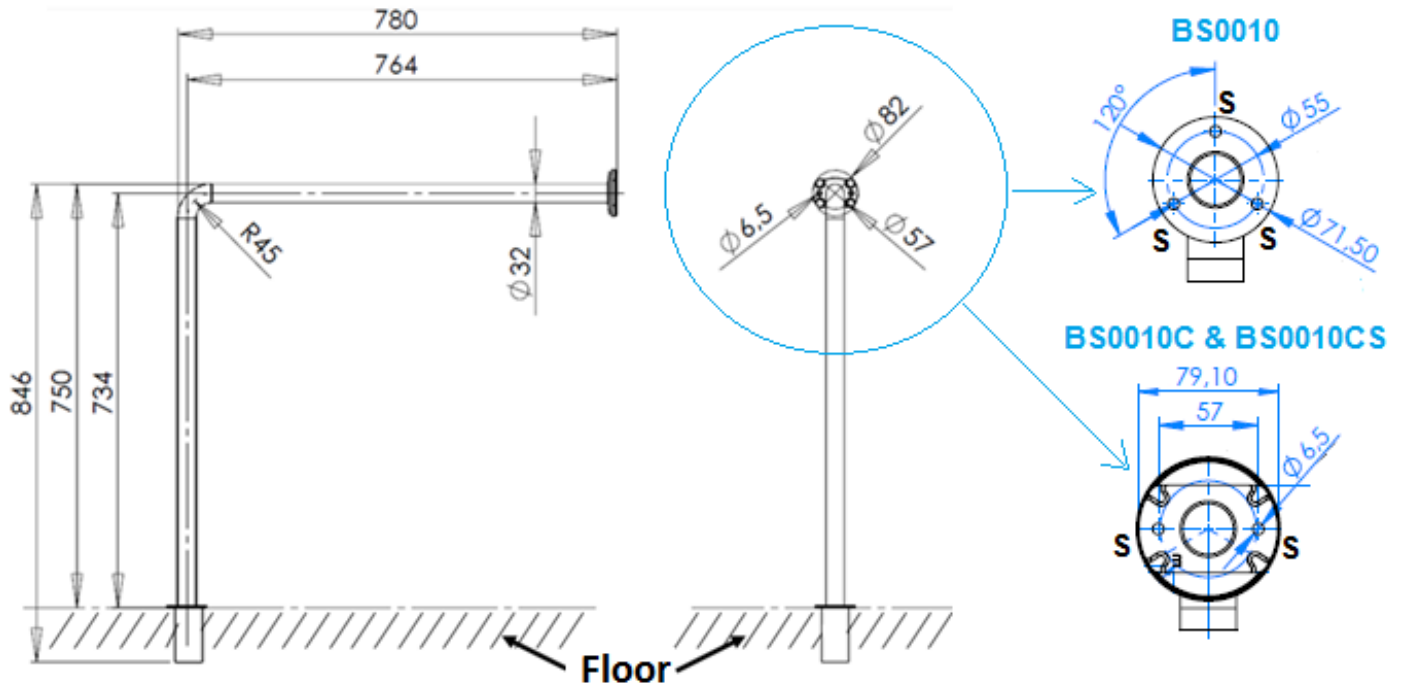
Dimensions



Dimensions \pm 4%

MOUNTING

- 1.- Drill a \varnothing 50 mm and 100 mm depth deep hole on finished concrete floor.
- 2.- Insert bottom end of grab bar into this floor hole and use the wall mounting flange as a template to mark the place for the two mounting screw holes on the wall.
- 3.- Remove grab bar and drill flange mounting holes in the wall.
- 4.- Take off the residual dust from the holes and insert two plastic plugs into them.
- 5.- Fill the floor hole with concrete and embed the bottom end of grab bar into the hole.
- 6.- Fasten the concealed mounting flange with two stainless steel screws at the wall to fix the grab bar to it.
- 7.- Put the snap flange covers over each mounting flange to conceal all mounting screws.



It is not recommended to install the Mediepoxy line bars in places where they are in direct contact with water, in damp and/or chlorinated environments.

Mediclinics is not responsible for corrosion that may appear on the bars caused by abrasion on the anchorage points because of an improper installation.

Mediclinics, S.A., reserves the right to make changes and/or modifications to the products and their specifications without prior notice
Review 11-18 © mediclinics S.A.

