

Wall to wall angled bar stainless steel

Mediepoxi / Medinox series



BD2700
White finish



BD2700B
Matte black finish



BD0700C
Bright finish



BD0700CS
Satin finish

General description

- 90° wall to wall horizontal grab bar for showers, baths and changing rooms, with three anchoring points and with snap flange covers, made with stainless steel tube, folded in an "L" shape at 90°.
- Designed to achieve barrier-free accessibility in bathrooms and public spaces. This grab bar is suitable for specific spaces for the elderly or people with reduced mobility. Model suitable for collectivities.
- Stainless steel gives this bar great durability and great resistance to rust.
- The bar has three snap flange covers that conceal the anchoring screws to the wall and reinforce, even more, the beauty of the product once installed.
- Optionally, these bars can be electrically isolated by installing the Electrical Isolation Kit code KA0020.
- Supplied with all the necessary hardware to fix the bar to a brick wall.

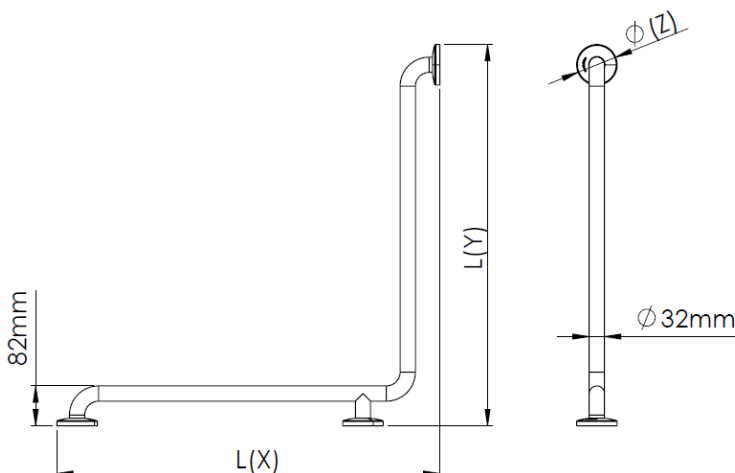
Components and materials

- **BD2700:** 90° wall to wall horizontal grab bar with three anchoring points, made with AISI 201 stainless steel tube white finish.
- **BD2700B:** 90° wall to wall horizontal grab bar with three anchoring points, made with AISI 201 stainless steel tube matte black finish.
- **BD0700C:** 90° wall to wall horizontal grab bar with three anchoring points, made with AISI 304 stainless steel tube bright finish.
- **BD0700CS:** 90° wall to wall horizontal grab bar with three anchoring points, made with AISI 304 stainless steel tube satin finish.
- **TUBING:** made of stainless steel 32 mm diameter tube, seamless construction. The bending process guarantees the uniformity of the diameter along the bends.
- **CONCEALED WALL BRACKET:** three units made of stainless steel sheet, 3 mm thick and joined to the bar by welding to the ends of the tube. It has three holes (BD2700 and BD2700B) or two holes (other references), with a diameter of 6.5 mm that allow the fixing of the bar to the wall.
- **SNAP FLANGE COVER:** three units that conceal the installation screws made of 1.5 mm thick polypropylene (BD2700 and BD2700B) or 0.8 mm thick stainless steel (other references).

Technical specifications

Bar diameter	Ø 32mm
Wall bracket thickness	3 mm
Snap flange cover thickness (BD2700 and BD2700B)	1.5 mm
Snap flange cover thickness (BD0700C and BD0700CS)	0.8 mm

Dimensions



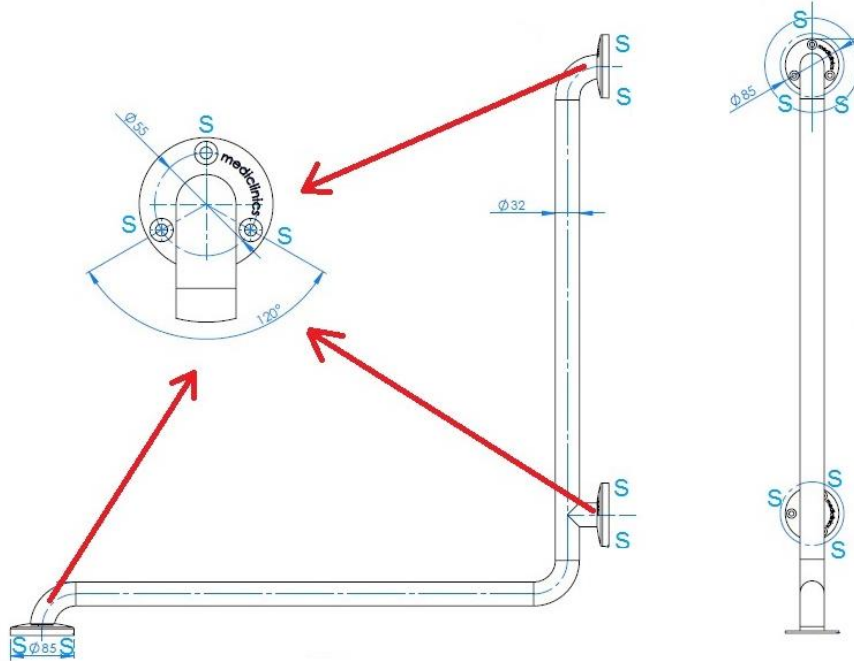
Ref. / Code	L(X)	L(Y)	Ø (Z)	Material	Acabado Finish
BD2700	804mm	799mm	85mm	Acero Inox Stainless steel	Epoxi blanco White epoxy
BD2700B	804mm	799mm	85mm	Acero Inox Stainless steel	Epoxi negro Black epoxy
BD0700C	801mm	796mm	82mm	Acero Inox Stainless steel	Brillante Bright
BD0700CS	801mm	796mm	82mm	Acero Inox Stainless steel	Satinado Satin

Dimensions: ± 4%

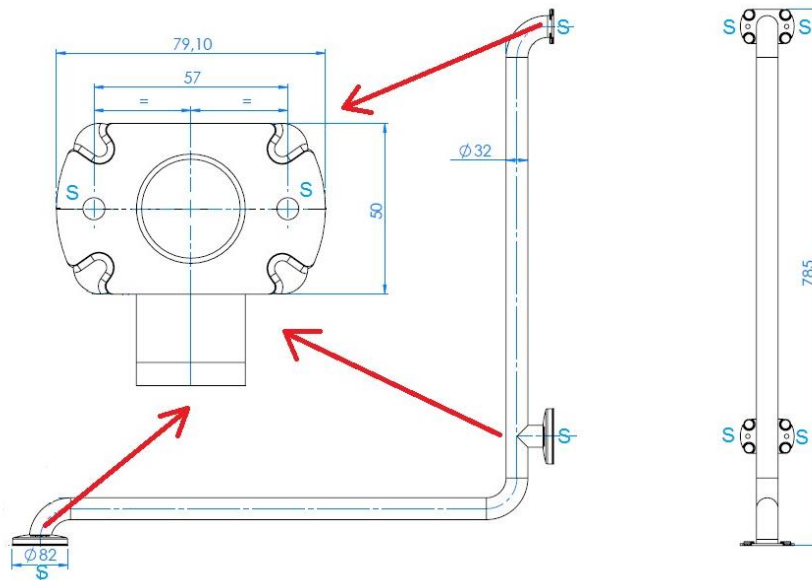
MOUNTING TEMPLATE

Fix the grab bar to the wall through the holes of the wall brackets to the wall, using the screws provided and taking into account the distances of the points indicated by an "S" in the following figures:

BD2700 and BD2700B



BD0700C and BD0700CS



Mediclinics is not responsible for the rust appearing on its bars and technical aids due to poor maintenance and cleaning or carried out with unsuitable cleaning products.

Mediclinics, S.A., reserves the right to make changes and/or modifications to the products and their specifications without prior notice
Review 12-20 © mediclinics S.A.

