



SNU104C - Bright finish
SNU104CS - Satin finish

General Description

- Single urinal for wall-mounting, manufactured in stainless steel AISI 304, 1.5 mm thick with round bowl and hidden vertical outlet.
- Engineered to combine an attractive look and a great robustness with a high versatility.
- A contoured exterior and interior to facilitate cleaning.
- A flush nozzle made in stainless steel with a M3/8" flushing inlet connection is provided.
- A service door, made of stainless steel and located at the front part of the urinary, allows to access to the Ø50 mm outlet.
- Fixation screws, flexible hoses and flush valve are not included.
- Flushing system can be by means of a concealed cistern or a flushing valve (neither of them included)"

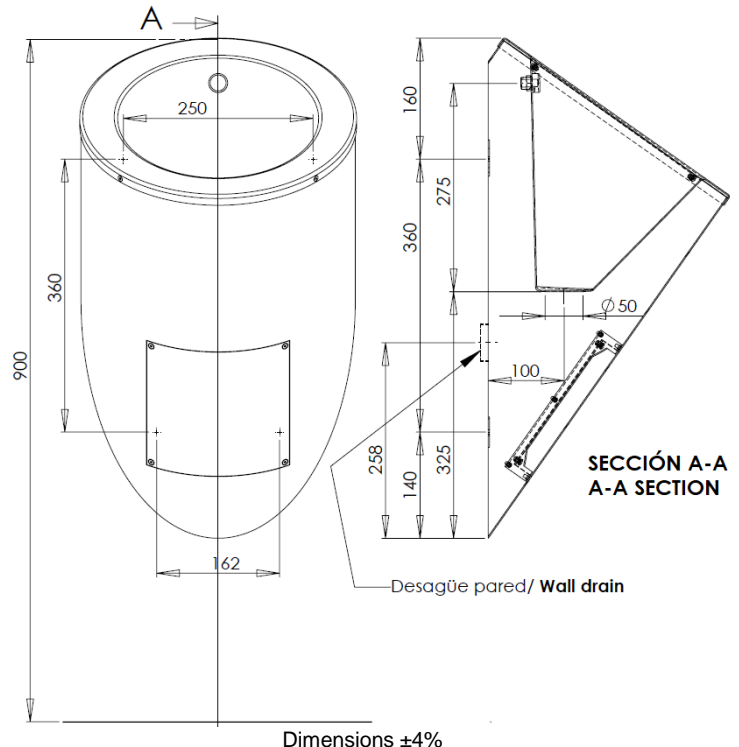
Components & materials

- **SNU104C:** stainless steel AISI 304, bright finish.
- **SNU104CS:** stainless steel AISI 304 satin finish.
- **BODY:** made of stainless steel AISI 304 1.5 mm thick, features a contoured exterior to facilitate cleaning.
- **BOWL:** made of stainless steel AISI 304 1.5 mm thick. It features a contoured interior to facilitate cleaning.
- **FLUSH NOZZLE:** to clean the urinal. It is made of stainless steel AISI 304 and it has a M3/8" thread for flush inlet valve mounting.

Technical Specifications

Dimensions	365 W x 325 D x 660 H mm
Thickness	1.5 mm
Inlet	Horizontal M 3/8"
Outlet	Vertical Ø50 mm
Net weight	6.2 Kg

Dimensions



MOUNTING

Fix the urinal on the wall using stainless steel screws (not supplied) through the corresponding holes located at the rear part of the urinal