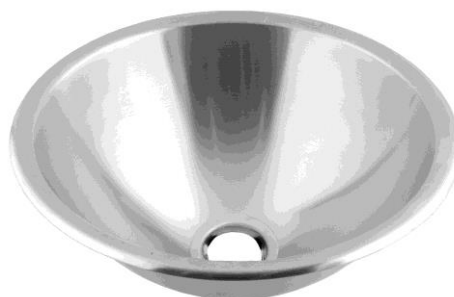


ROUND SINK
Without overflow

SN0027C / SN0031C / SN0036C
Bright finish

SN0027CS / SN0031CS / SN0036CS
Satin finish
General description

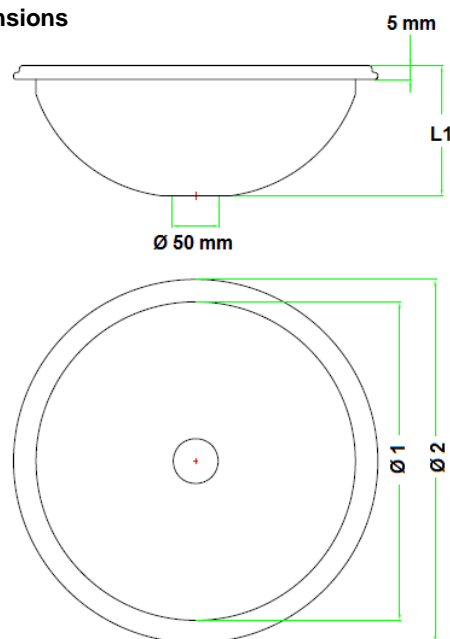
- Recessed round bathroom sink without overflow, made of stainless steel AISI 304, 1.2 mm thick.
- The stainless steel AISI 304 construction protects the product against rust and ensures quality and longevity.
- Robust and vandal-proof.
- Easy to clean
- Model suitable for public use with high strength and durability.

Materials & components

- **SN0027C/SN0031C/SN0036C:** stainless steel AISI 304, 1.2 mm thick, bright finish.
- **SN0027CS/SN0031CS/SN0036CS:** stainless steel AISI 304, 1.2 mm thick, satin finish.
- **BODY:** one-piece construction, 1.2 mm thick with different bowl diameters to suit the specific need. 50 mm outflow diameter.

Technical specifications

Bowl thickness	1.2 mm
Outlet	Ø 50 mm
Inner diameter	Ø 1
Outer diameter	Ø 2
Bowl depth	L1
Weight (empty)	0.55 Kg/0.75Kg/0.95 Kg

Dimensions


Model number	L1 (mm)	Ø1 (mm)	Ø2 (mm)
SN0027C / SN0027CS	110	265	305
SN0031C / SN0031CS	130	315	355
SN0036C / SN0036CS	145	355	405

Dimensions ±4%

MOUNTING TEMPLATE

80-90 cm at lower point