



SNU126CS
Satin finish

General description

- Wall-hung single urinal made of bacteriostatic AISI 304 stainless steel, 1.2 mm thick, satin finish.
- Compatible with all standard frame systems on the market.
- Top (exposed) water inlet.
- Recessed waste outlet. Concealed trap.
- Quick and easy to install from the front thanks to a stainless steel mounting frame.
- Supplied with 1½" P trap, fixing elements and theft prevention TORX security screws.
- CE marked. **Complies with European standard EN 13407 for 2L flush.**

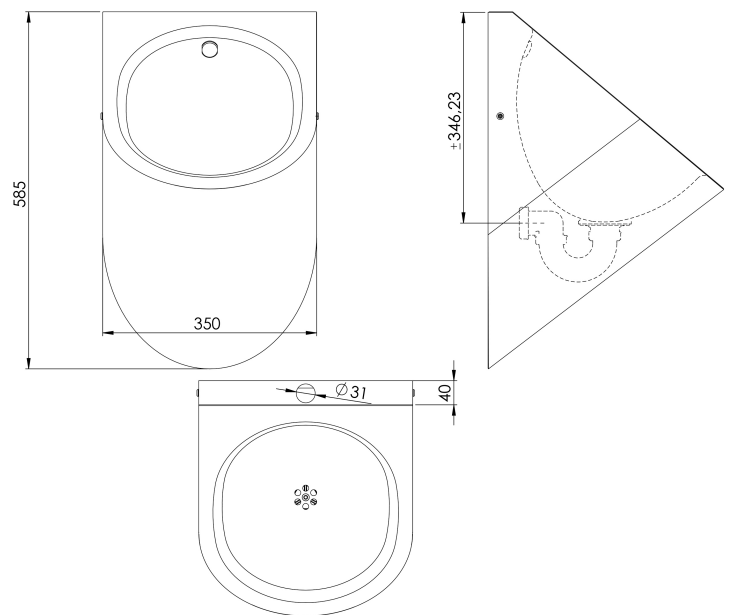
Components and materials

- **BODY:** made in Stainless Steel AISI 304 1.2 mm thick, features a contoured exterior to facilitate cleaning.
- **BOWL:** made in stainless steel AISI 304 1.2 mm thick. It also features a contoured interior to facilitate cleaning.
- **FLUSH NOZZLE:** to clean the urinal. It is made of stainless steel AISI 304.
- **WALL BRACKET:** to fix the urinal to the wall is made in stainless steel AISI 304 and it is delivered with the unit.

Technical specifications

Dimensions	350 W x 385 D x 585 H mm
Thickness	1.2 mm
Inlet	Exposed top water inlet
Outlet	Recessed rear water inlet with 1½" trap
Net weight	7.5 Kg

Dimensions



Dimensions: ± 4%