



SNPT21CS
Satin finish

General description

- Floor-recessed squatting pan manufactured in one-piece of bacteriostatic AISI 304 stainless steel, 1.2 mm thick, satin finish.
- The stainless steel construction protects the product against rust and ensures quality and longevity. Besides it is more hygienic, resistant to wear and will withstand impact damage.
- Model suitable for public use with high strength and durability.
- One-piece pressed WC bowl, seam-free for easy maintenance and better hygiene.
- Bowl shape suitable for male and female use.
- Anti-slip patterned foot areas.
- Robust and vandal-proof, the unit incorporates an integral vertical waste outlet Ø 100mm.
- Flushing system with one spreader made of AISI 304 stainless steel, which provides an efficient wash-down.

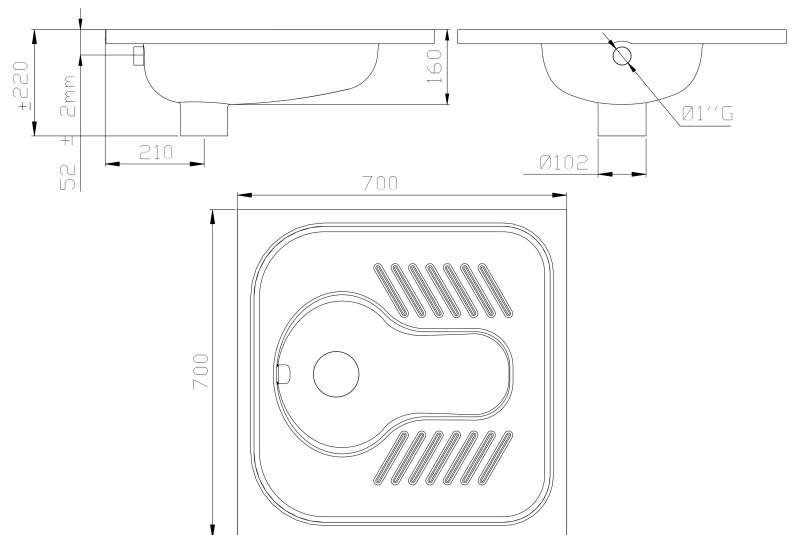
Components and materials

- **BODY:** manufactured in one-piece of stainless steel AISI 304 1.2 mm thick, features a contoured exterior to facilitate cleaning. It incorporates anti-slip patterned foot areas
- **CLEANING SYSTEM:** one frontal flush nozzle made of AISI 304 stainless steel, which provides an efficient wash-down.

Technical specifications

Dimensions	700 x 220 x 700 mm
Stainless Steel thickness	1.2 mm
Water inlet	Ø 1"
Water outlet (vertical)	Ø 100 mm
Net weight	6 Kg

Dimensions



Dimensions: ± 4%