



SNLMP70CS
Satin finish

General description

- Wall-mounted knee operated hand wash basin, made of bacteriostatic AISI 304 stainless steel 0.8mm thick, satin finish.
- Rounded edges prevent injury.
- Supplied with swan-neck spout, soft-touch operation time flow tap with 7-second time flow and premixer with non-return valves.
- Flat perforated waste, without screws: easy to clean and vandal-resistant.
- Water savings: flow rate pre-set at 3 lpm.
- Maximum hygiene: no manual contact with tap. Without overflow.
- Supplied with fixing elements for brick walls.
- CE marked. **Complies with European standard EN 14688.**

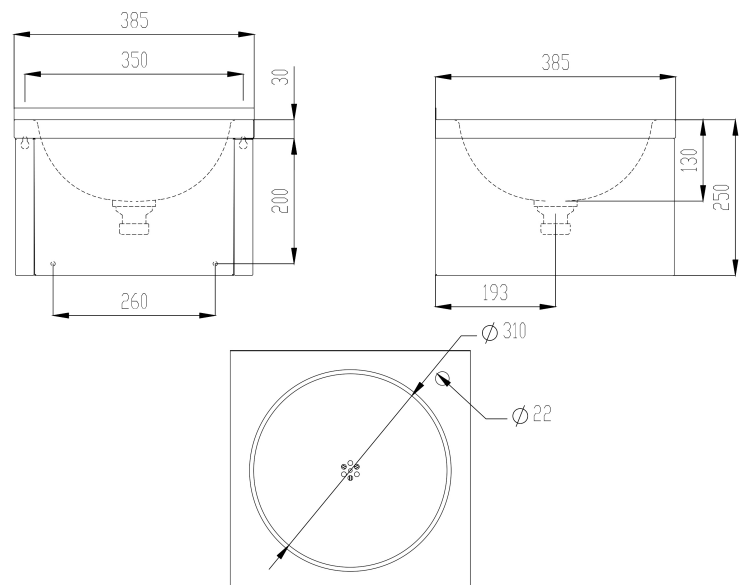
Components and materials

- **BODY:** made of AISI 304 stainless steel, 0.8 mm thick and satin finished. Open at the bottom to make connections to the water network. It is fixed to the wall through 4 holes located in each of the 4 corners on the back of the body.
- **BOWL:** made of AISI 304 stainless steel, 0.8 mm thick, directly embedded in the body of the sink.
- **TAP:** adjustable swan neck chrome finish.
- **PUSH BUTTON:** stainless steel timer that avoids all manual contact of the user with the sink.

Technical specifications

Dimensions	385x385x250 mm
Stainless steel thickness	0.8 mm
Default water flow	3 lpm
Net weight	4.3 Kg

Dimensions



Dimensions: ± 4%