



SNLM56CS
Satin finish

General description

- Wall-mounted washbasin with a basin internal diameter of 310 mm, made of 1.2 mm thick bacteriostatic 304 stainless steel, satin finish.
- Clean and simple design.
- Rounded edges prevent injury.
- Vandal-resistant: shrouded basin, concealed trap.
- Quick and easy to install from the front thanks to a stainless steel mounting frame.
- With no tap hole.
- Supplied with 1½" waste and trap.
- Without overflow.
- Supplied with fixing elements for a brick wall.
- CE marked. **Complies with European standard EN 14688.**

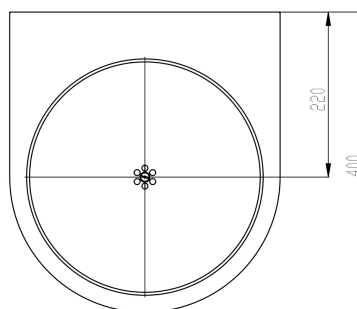
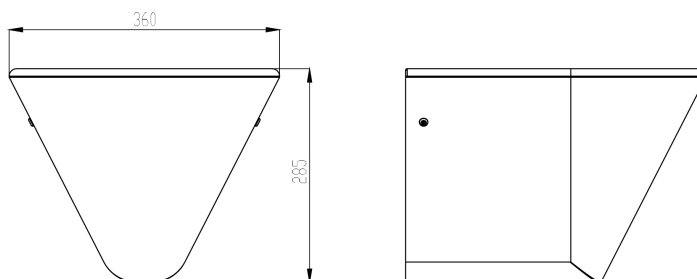
Components and materials

- **BODY:** made of AISI 304 stainless steel, 1.2 mm thick
- **BOWL:** made of AISI 304 stainless steel, 1.2 mm thick. The bowl is stamped on the same body and its dimensions are: Ø 310 mm / 120 mm deep, with a 1 ¼" water outlet.

Technical specifications

Dimensions	400 x 360 x 285 mm
Body and bowl thickness	1.2 mm
Water outlet	1 ¼"
Bowl diameter	Ø 310 mm
Bowl depth	120 mm
Net weight	5.5 Kg

Dimensions



Dimensions: ± 4%