



SNLM62CS
Satin finish

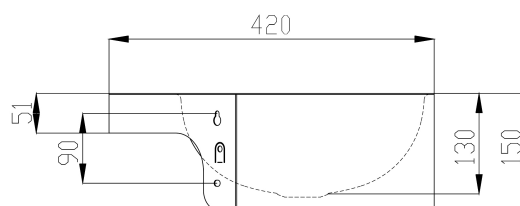
General description

- 1.2 mm thick bacteriostatic AISI 304 stainless steel wash basin, satin finish, without overflow and ready to be wall mounted.
- With a robust design, this stainless steel hand basin has been designed to combine an attractive appearance, high versatility and great resistance to oxidation.
- Very easy to clean.
- Model suitable for public use with high resistance and durability.
- It has a Ø 35mm hole to install a tap.
- Includes 1¼" waste.
- Supplied with brick wall fixing elements. Faucets and connection hoses not supplied.
- CE marked. **Complies with the European standard UNE-EN 14688.**

Technical specifications

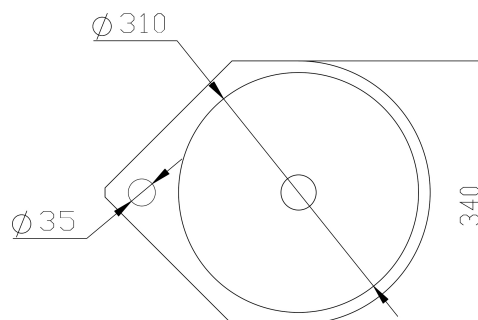
Body and bowl thickness	1.2 mm
Water outlet	1 ¼"
Bowl diameter	Ø 320 mm
Bowl depth	130 mm
Net weight	3.0 Kg

Dimensions



Components and materials

- **BODY:** made of stainless Steel AISI 304 1.2 mm thick, 150 mm high and satin finish. It has a Ø 35mm hole to install a tap.
- **BOWL:** without overflow, made of stainless steel AISI 304, 1.2 mm thick, satin finish and stamped in the same body. Its dimensions are: 310 mm diameter and 130 mm deep.



Dimensions: ± 4%