



SNLM58CS
Satin finish

General description

- Wall mounted stainless steel wash basin without overflow and with an extra-flat design, adapted for people with reduced mobility because it facilitates access by a wheelchair.
- Manufactured with bacteriostatic AISI 304 stainless steel, 1.2 mm thick and satin finish.
- Bowl diameter of 308mm.
- Rounded edges prevent the risk of self-injury.
- With no tap hole.
- Supplied with 1 ¼" waste.
- Without overflow.
- Supplied with fixing elements to fix it to a brick wall.
- CE marked. **Complies with the EN-14688 standard.**

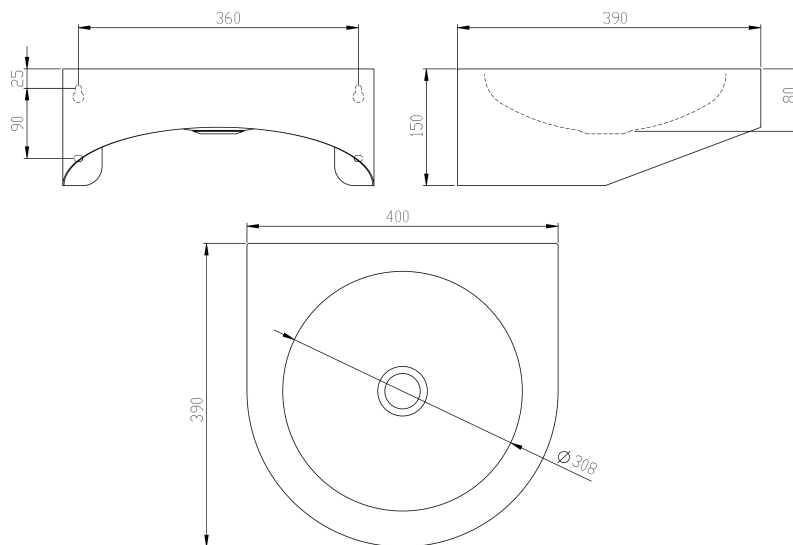
Componentes y materiales

- **BODY AND BOWL:** without overflow, made of stainless steel AISI 304, 1.2 mm thick, satin finish and stamped in the same body. Its dimensions are: 308 mm diameter and 80 mm deep.

Technical specifications

Dimensions	<i>400 x 390 x 150 mm</i>
Body and bowl thickness	<i>1.2 mm</i>
Water outlet	<i>1 ¼"</i>
Bowl diameter	<i>Ø 308 mm</i>
Bowl depth	<i>80 mm</i>
Net weight	<i>3.9 Kg</i>

Dimensions



Dimensions: ± 4%